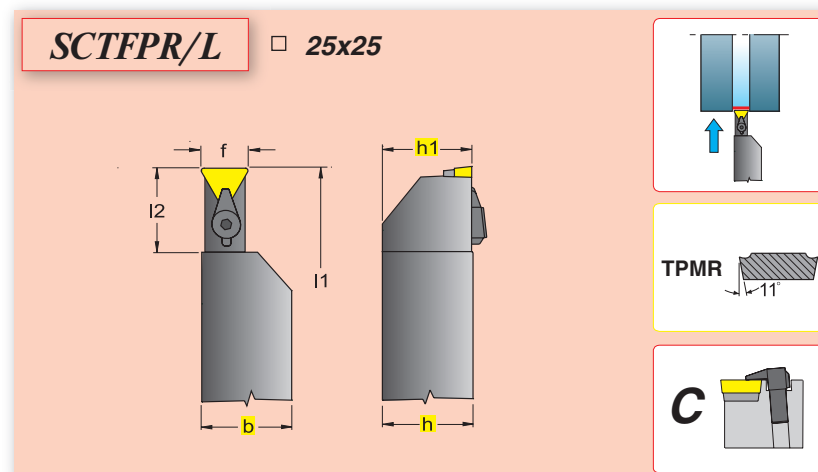
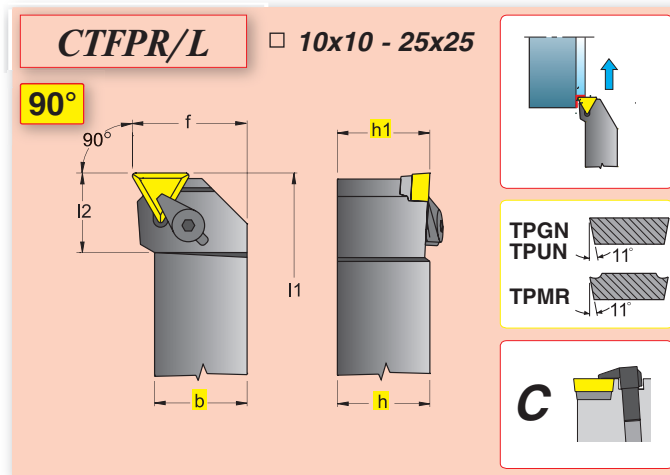




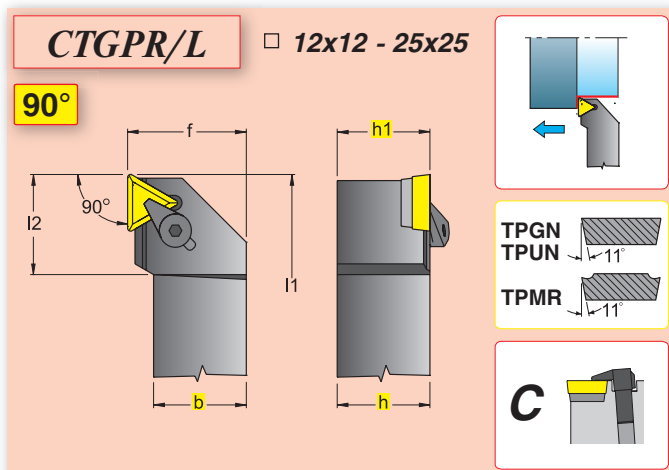
ОБОЗНАЧЕНИЕ		(mm)					
R	L	h=h1	b	f	l1	l2	
CKJNR	2020 K 16	20	20	30	125	34	1604.-R
CKJNR	2525 M 16	25	25	32	150	34	
CKJNR	3225 P 16	32	25	32	170	34	
CKJNR	3232 P 16	32	32	40	170	34	1604.-L
CKJNL	2020 K 16	20	20	30	125	34	
CKJNL	2525 M 16	25	25	32	150	34	
CKJNL	3225 P 16	32	25	32	170	34	
CKJNL	3232 P 16	32	32	40	170	34	



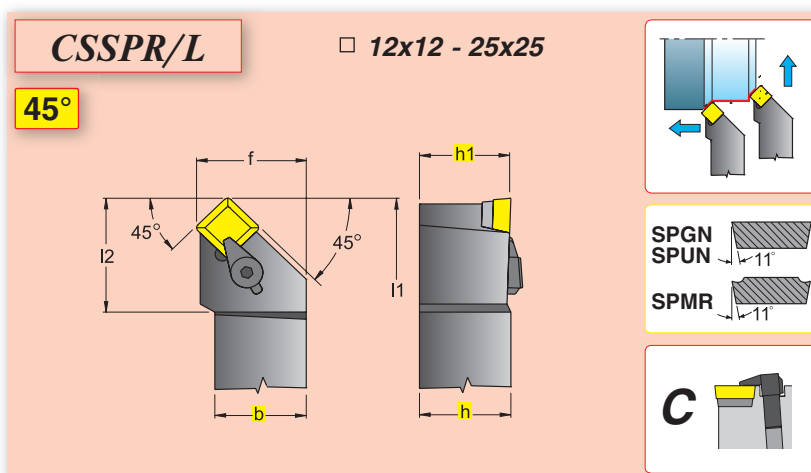
ОБОЗНАЧЕНИЕ		(mm)					
R	L	h=h1	b	f	l1	l2	
SCTFPR/L	2525 M 11	25	25	25	150	22	1103
SCTFPR/L	2525 M 16	25	25	25	150	25	1603



	(mm)					
	h=h1	b	f	l1	l2	
CTFPR/L 1010 E 11	10	10	12	70	18	1103
CTFPR/L 1212 F 11	12	12	16	80	18	
CTFPR/L 1616 H 11	16	16	20	100	18	
CTFPR/L 2020 K 11	20	20	25	125	18	
CTFPR/L 2020 K 16	20	20	25	125	20	
CTFPR/L 2525 M 16	25	25	32	150	20	



ОБОЗНАЧЕНИЕ	(mm)					
	R	L	h=h1	b	f	
CTGPR/L 1212 F 11	12	12	16	80	18	1103
CTGPR/L 1616 H 11	16	16	20	100	18	
CTGPR/L 2020 K 11	20	20	25	125	18	
CTGPR/L 2020 K 16	20	20	25	125	25	
CTGPR/L 2525 M 16	25	25	32	150	25	



ОБОЗНАЧЕНИЕ	(mm)					
	R	L	h=h1	b	f	
CSSPR/L 1212 F 09	12	12	16	80	18	0903
CSSPR/L 1616 H 09	16	16	20	100	22	
CSSPR/L 2020 K 12	20	20	25	125	26	
CSSPR/L 2525 M 12	25	25	32	150	28	1203

CSDPN □ 12x12 - 25x25

45°

SPUN 11°
SPMR 11°

C

ОБОЗНАЧЕНИЕ		(mm)					
		h=h1	b	f	l1	l2	
CSDPN	1212 F 09	12	12	6	80	18	0903
CSDPN	1616 H 09	16	16	8	100	22	
CSDPN	2020 K 12	20	20	10	125	22	1203
CSDPN	2525 M 12	25	25	12,5	150	28	

CSDPR/L □ 12x12 - 25x25

45°

SPUN 11°
SPMR 11°

C

ОБОЗНАЧЕНИЕ		(mm)					
		h=h1	b	f	l1	l2	
CSDPR/L	1212 F 09	12	12	6	80	18	0903
CSDPR/L	1616 H 09	16	16	8	100	22	
CSDPR/L	2020 K 12	20	20	10	125	22	1203
CSDPR/L	2525 M 12	25	25	12,5	150	28	

CSBPR/L □ 12x12 - 25x25

75°

SPUN 11°
SPMR 11°

C

ОБОЗНАЧЕНИЕ R L	(mm)					
	h=h1	b	f	l1	l2	
CSBPR/L 1212 F 09	12	12	11	80	18	0903
CSBPR/L 1616 H 09	16	16	13	100	22	
CSBPR/L 2020 K 09	20	20	17	125	22	1203
CSBPR/L 2020 K 12	20	20	17	125	22	
CSBPR/L 2525 M 12	25	25	22	150	28	

CTTPR/L □ 16x16 - 25x25

60°

TPMR 11°
TPUN 11°

C

ОБОЗНАЧЕНИЕ R L	(mm)					
	h=h1	b	f	l1	l2	
CTTPR/L 1616 H 11	16	16	13	100	22	1103
CTTPR/L 2020 K 11	20	20	17	125	22	
CTTPR/L 2020 K 16	20	20	17	125	22	1603
CTTPR/L 2525 M 16	25	25	22	150	28	

CTBPR/L □ 12x12 - 25x25

75°

TPMR \rightarrow 11°
TPUN \rightarrow 11°

C

ОБОЗНАЧЕНИЕ		(mm)					
		h=h1	b	f	l1	l2	
CTBPR/L	1212 F 11	12	12	11	80	18	1103
CTBPR/L	1616 H 11	16	16	13	100	22	
CTBPR/L	2020 K 16	20	20	17	125	22	
CTBPR/L	2525 M 16	25	25	22	150	28	

CTFNR/L □ 20x20 - 40x40

90°

TNUN

TNGN

C

ОБОЗНАЧЕНИЕ		(mm)					
		h=h1	b	f	l1	l2	
CTFNR/R	2020 K 16	20	20	25	125	26	1603
CTFNR/R	2525 M 16	25	25	32	150	26	
CTFNR/R	3225 P 16	32	25	32	170	26	
CTFNR/R	3232 P 22	32	32	40	170	30	
CTFNR/R	4040 R 22	40	40	50	200	30	

CTGNR/L □ 20x20 - 50x50

90°

TNMA

TNMG

C

ОБОЗНАЧЕНИЕ 	(mm)					
	h=h1	b	f	l1	l2	
CTGNR/L 2020 K 16	20	20	25	125	26	1603
CTGNR/L 2525 M 16	25	25	32	150	26	
CTGNR/L 3225 P 16	32	25	32	170	26	
CTGNR/L 3232 P 22	32	32	40	170	31	2204
CTGNR/L 4040 R 22	40	40	50	200	31	3306
CTGNR/L 5050 S 33	50	50	60	250	42	

CSSNR/L □ 20x20 - 40x40

45°

SNMA

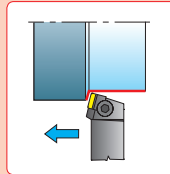
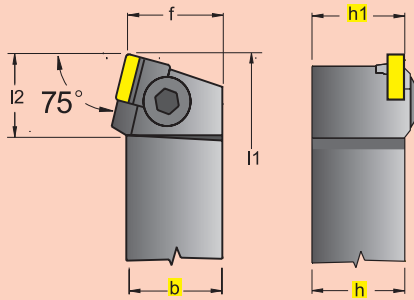
SNMG

C

ОБОЗНАЧЕНИЕ 	(mm)					
	h=h1	b	f	l1	l2	
CSSNR/L 2020 K 12	20	20	25	125	26	1204
CSSNR/L 2525 M 12	25	25	32	150	26	
CSSNR/L 3225 P 12	32	25	32	170	26	
CSSNR/L 3232 P 19	32	32	40	170	31	1904
CSSNR/L 4040 R 19	40	40	50	200	31	1904

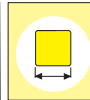
CSRNR/L □ 20x20 - 50x50

75°



ОБОЗНАЧЕНИЕ

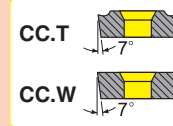
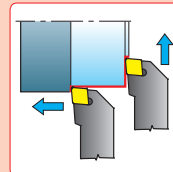
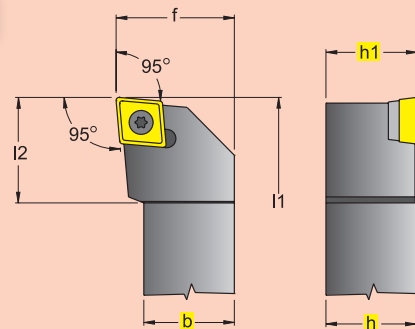
(mm)



R L		h=h1	b	f	l1	l2		
SCRNR/L	2020	12	20	20	25	125	26	1204
SCRNR/L	2525	12	25	25	32	150	26	
SCRNR/L	3225	12	32	25	32	170	26	
SCRNR/L	3232	19	32	32	40	170	30	1904
SCRNR/L	4040	19	40	40	50	200	30	
SCRNR/L	5050	25	50	60	250	42	30	

SCLCR/L □ 08x08 - 25x25

95°



ОБОЗНАЧЕНИЕ

(mm)

МОМЕНТ
ЗАТЯЖКИ



R L		h=h1	b	f	l1	l2	М, НМ			
SCLCR/L	0808	D	06	8	8	10	60	10	1,1 1,3	0602
SCLCR/L	1010	E	06	10	10	12	70	10	1,1 1,3	
SCLCR/L	1212	F	09	12	12	16	80	15	3,8 5,0	09T3
SCLCR/L	1616	H	09	16	16	20	100	15	3,0 3,5	
SCLCR/L	2020	K	09	20	20	25	125	17	3,0 3,5	
SCLCR/L	2525	M	09	25	25	32	150	18	3,0 3,5	1204
SCLCR/L	1616	H	12	16	16	20	100	20	4,0 5,0	
SCLCR/L	2020	K	12	20	20	25	125	20	4,0 5,0	
SCLCR/L	2525	M	12	25	25	32	150	20	4,0 5,0	