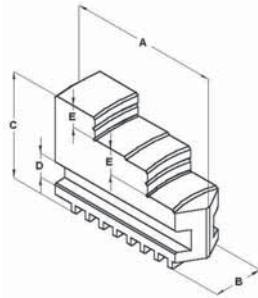




TALLERES DE GUERNICA

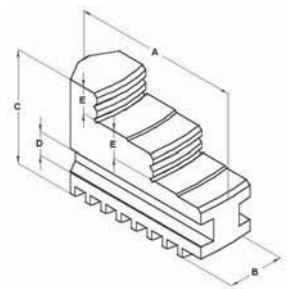
**Garra dura escalonada n°1
Amarre externo**

External n°1 hard jaw



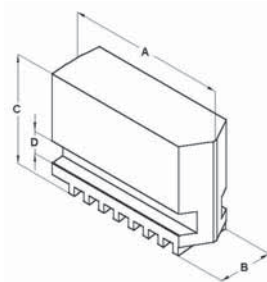
**Garra dura escalonada n°2
Amarre interno**

Internal n°2 hard jaw



Garra blanda

Soft jaw



Ø PLATO	85	110	135	160	200	250	315	350	400	500
Ø CHUCK	3 1/2	4 1/4	5 1/2	6 1/4	8	10	12 1/2	13 3/4	16	20
A	34	47	55	66	77	95	115	140	140	175
B	12	15	18	22	25	32	40	40	40	45
C	24,6	31,5	39,5	47,5	54,5	64,5	79,5	89,5	89,5	119,5
D	5	6,5	8	9	10,5	12,482	14	14	14	16
E	6	7,5	9,5	10,5	12	15	19	23,5	23,5	34

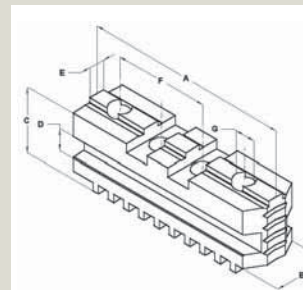
REPUESTOS PARA PLATOS UNIVERSALES TdeG

SPARE PARTS FOR CONCENTRIC CHUCKS TdeG

Garra base

Base Jaw

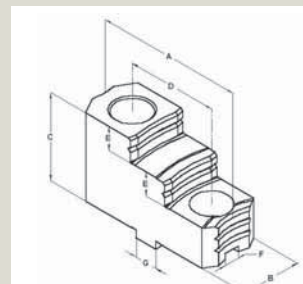
Ø PLATO	160	200	250	315	350	400	500	630
Ø CHUCK	6 1/4	8	10	12 1/2	13 3/4	16	20	23
A	65	78	92	108	127	127	166	166
B	22	25	32	40	40	40	45	45
C	30	33,5	38,25	43,25	47	47	57	57
D	9	10,5	12,5	14	14	14	16	16
E	8	8	12,7	12,7	12,7	12,7	12,7	12,7
F	38,1	48,4	54	63,5	76,2	76,2	76,2	76,2
G	3/8"-16UNC	3/8"-16UNC	1/2"-13UNC	1/2"-13UNC	1/2"-13UNC	1/2"-13UNC	3/4"-10UNC	3/4"-10UNC



Garra superior dura

Hard top jaw

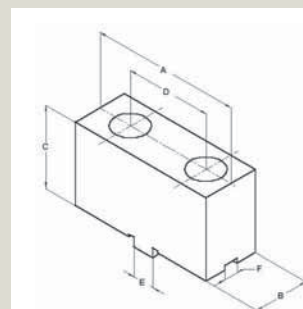
Ø PLATO	160	200	250	315	350	400	500	630
Ø CHUCK	6 1/4	8	10	12 1/2	13 3/4	16	20	23
A	66,5	79,2	93,8	108,5	128,5	128,5	127	127
B	22,5	25,5	32,5	40,5	40,5	40,5	52,5	52,5
C	38,1	40,4	51	51	59,5	59,5	80	80
D	38,1	44,4	54	63,5	76,2	76,2	76,2	76,2
E	8	9,5	12	12	12	12	18	18
F	8	8	12,7	12,7	12,7	12,7	12,7	12,7
G	12,6	12,6	19,05	19,05	19,05	19,05	19,05	19,05



Garra superior blanda

Soft top jaw

Ø PLATO	160	200	250	315	350	400	500	630
Ø CHUCK	6 1/4	8	10	12 1/2	13 3/4	16	20	23
A	69	81	98	111	130	130	168	168
B	30	30	35	44,5	44,5	44,5	52,5	52,5
C	39,3	41,6	52,2	52,6	60,5	60,5	80	80
D	38,1	44,4	54	63,5	76,2	76,2	76,2	76,2
E	12,6	12,6	19,05	19,05	19,05	19,05	19,05	19,05
F	8	8	12,7	12,7	12,7	12,7	12,7	12,7

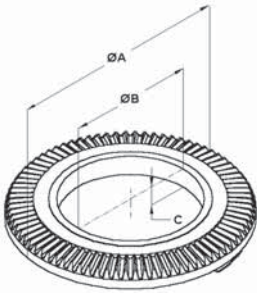


Códigos

Ø PLATO			GARRAS N°1 AMARRE EXT.	GARRAS N°2 AMARRE INT.	GARRAS BLANDAS	GARRAS BASE	GARRAS SUP. DURAS	GARRAS SUP. BLANDAS
Ø CHUCK			EXT.JAW	INT.JAW	SOFT	BASE JAW	HARD TOP	SOFT TOP
mm	inches							
85	3 1/2	JGO. 3 / set of 3	1GU3108500	1GU3208500	2GU3008500			
		JGO. 4 / set of 4	1GU4108500	1GU4208500	2GU4008500			
110	4 1/4	JGO. 3 / set of 3	1GU3111000	1GU3211000	2GU3011000			
		JGO. 4 / set of 4	1GU4111000	1GU4211000	2GU4011000			
135	5 1/2	JGO. 3 / set of 3	1GU3113500	1GU3213500	2GU3013500			
		JGO. 4 / set of 4	1GU4113500	1GU4213500	2GU4013500			
160	6 1/4	JGO. 3 / set of 3	1GU3116000	1GU3216000	2GU3016000	1GU3316000	1GU3416000	2SB0000100
		JGO. 4 / set of 4	1GU4116000	1GU4216000	2GU4016000	1GU4316000	1GU4416000	2SB0000100
200	8	JGO. 3 / set of 3	1GU3120000	1GU3220000	2GU3020000	1GU3320000	1GU3420000	2SB0000200
		JGO. 4 / set of 4	1GU4120000	1GU4220000	2GU4020000	1GU4320000	1GU4420000	2SB0000200
250	10	JGO. 3 / set of 3	1GU3125000	1GU3225000	2GU3025000	1GU3325000	1GU3425000	2SB0000300
		JGO. 4 / set of 4	1GU4125000	1GU4225000	2GU4025000	1GU4325000	1GU4425000	2SB0000300
315	12 1/2	JGO. 3 / set of 3	1GU3131500	1GU3231500	2GU3031500	1GU3331500	1GU3431500	2SB0000400
		JGO. 4 / set of 4	1GU4131500	1GU4231500	2GU4031500	1GU4331500	1GU4431500	2SB0000400
350	13 3/4	JGO. 3 / set of 3	1GU3135000	1GU3235000	2GU3035000	1GU3335000	1GU3435000	2SB0000500
		JGO. 4 / set of 4	1GU4135000	1GU4235000	2GU4035000	1GU4335000	1GU4435000	2SB0000500
400	16	JGO. 3 / set of 3	1GU3140000	1GU3240000	2GU3040000	1GU3340000	1GU3440000	2SB0000500
		JGO. 4 / set of 4	1GU4140000	1GU4240000	2GU4040000	1GU4340000	1GU4440000	2SB0000500
500	20	JGO. 3 / set of 3	1GU3150000	1GU3250000	2GU3050000	1GU3350000	1GU3450000	2SB0000600
		JGO. 4 / set of 4	1GU4150000	1GU4250000	2GU4050000	1GU4350000	1GU4450000	2SB0000600
630	23	JGO. 3 / set of 3	1GU3163000	1GU3263000	2GU3063000	1GU3363000	1GU3463000	2SB0000600
		JGO. 4 / set of 4	1GU4163000	1GU4263000	2GU4063000	1GU4363000	1GU4463000	2SB0000600

Corona de plato universal

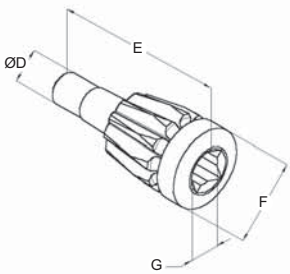
Scroll



Ø PLATO	85	110	135	160	200	250	315	350	400	500	630
Ø CHUCK	3 1/2	4 1/4	5 1/2	6 1/4	8	10	12 1/2	13 3/4	16	20	23
Ø A	61,2	85	102	124,2	158,5	201,2	257	289	318	398	542,5
Ø B	34	48	60	78	101	118	138	190	175	220	275
C	11,61	14,35	16,9	16,3	19,8	23,5	34,1	27	39	51	50
COD.	2C00008500	2C00011000	2C00013500	2C00016000	2C00020000	2C00025000	2C00031500	2C00035000	2C00040000	2C00050000	2C00063000

Piñón de plato universal

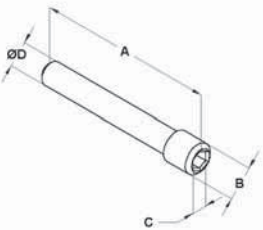
Pinion



Ø PLATO	85	110	135	160	200	250	315	350	400	500	630
Ø CHUCK	3 1/2	4 1/4	5 1/2	6 1/4	8	10	12 1/2	13 3/4	16	20	23
Ø A	31	37,2	44,3	47	58,1	81,5	104,9	91	130,5	162,1	196
Ø B	20	25	28	30	32	35	40	40	45	50	50
C	6X6	8X8	10X10	12X12	12X12	14X14	14X14	14X14	17X17	19X19	19X19
Ø C	5	8	9	10	11,5	14	18	18	20	22	22
COD.	2PN0008500	2PN0011000	2PN0013500	2PN0016000	2PN0020000	2PN0025000	2PN0031500	2PN0035000	2PN0040000	2PN0050000	2PN0063000

Tornillo de retención de piñón

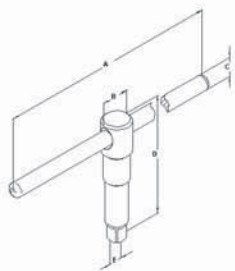
Pinion retainer



Ø PLATO	85	110	135	160	200	250	315	350	400	500	630
Ø CHUCK	3 1/2	4 1/4	5 1/2	6 1/4	8	10	12 1/2	13 3/4	16	20	23
A	34	34	34	38	49	49	62	62	62	62	62
B	M6	M6	M6	M6	M8	M8	M12	M12	M12	M12	M12
C	3	3	3	3	4	4	6	6	6	6	6
Ø C	4	4	4	4	6	6	9	9	9	9	9
COD.	2BU0300600	2BU0300600	2BU0300600	2BU0300600	2BU0300800	2BU0300800	2BU0301200	2BU0301200	2BU0301200	2BU0301200	2BU0301200

Llave de piñón de plato universal

Key



Ø PLATO	85	110	135	160	200	250	315	350	400	500	630
Ø CHUCK	3 1/2	4 1/4	5 1/2	6 1/4	8	10	12 1/2	13 3/4	16	20	23
D	70	85	85	105	105	135	135	135	160	263	263
E	6X6	8X8	10X10	12X12	12X12	14X14	14X14	14X14	17X17	19X19	19X19
COD.	2LL0000100	2LL0000200	2LL0000300	2LL0000400	2LL0000400	2LL0000500	2LL0000500	2LL0000500	2LL0000800	2LL0001500	2LL0001500

REPUESTOS PARA PLATOS UNIVERSALES TdeG21

SPARE PARTS FOR CONCENTRIC CHUCKS TdeG21

Garras monobloc

One piece jaw

Garra dura escalonada nº1
Amarre externo

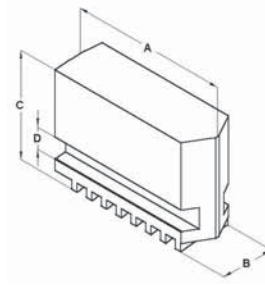
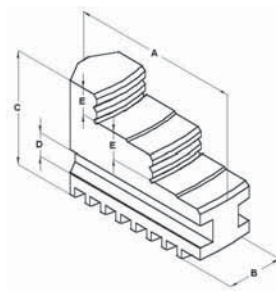
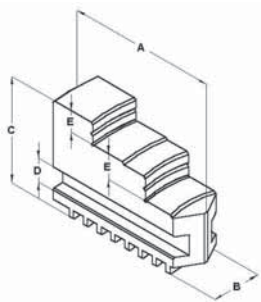
Garra dura escalonada nº2
Amarre interno

Garra blanda

External nº1 hard jaw

Internal nº2 hard jaw

Soft jaw



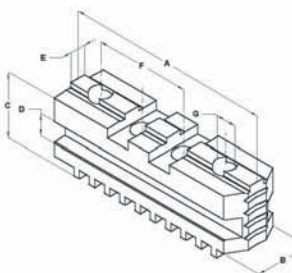
Ø PLATO Ø CHUCK	80	100	125	160	200	250	310	400
A	36,5	41,5	51,5	66	79	97,5	123	152
B	10	14	16	18	22	25	32	32
C	27	34	36	42	54	58	71	86
D	5	7	7	7	8	8	12	12
E	6	8	8	10	12	12	23,5	20

Garras partidas

Two piece jaw

Garra base

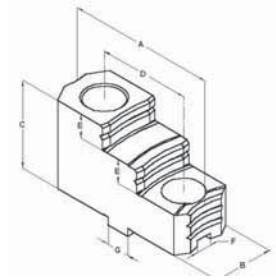
Base Jaw



Ø PLATO Ø CHUCK	160	200	250	310	400
A	65	74,6	89	123	124,5
B	18	22	25	32	32
C	28,4	35,9	35,9	37,9	46,9
D	7	8	8	12	12
E	7,92	7,92	12,7	12,7	12,7
F	38	44,4	54	63,5	76
G	MB	MB	M12	M12	M16

Garra superior dura

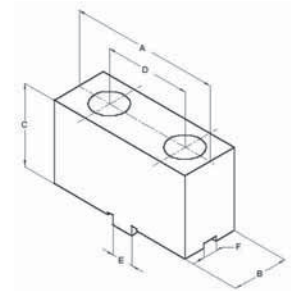
Hard top jaw



Ø PLATO Ø CHUCK	160	200	250	310	400
A	67	77	91	111	122
B	24,8	24,8	30	33	38
C	40	43	53	56	68
D	38	44,4	54	63,5	76
E	9,5	10,3	12,7	14,3	16
F	7,95	7,95	12,7	12,7	12,7
G	12,67	12,67	19,03	19,03	19,03

Garra superior blanda

Soft top jaw



Ø PLATO Ø CHUCK	160	200	250	310	400
A	77	88	106	124	139
B	20	25	30	33	38
C	40	40	53	56	68
D	38	44,4	54	63,5	76
E	12,67	12,67	19,03	19,03	19,03
F	7,95	7,95	12,7	12,7	12,7

Códigos

Ø PLATO Ø CHUCK		AMARRE EXTERIOR	GARRAS Nº1 AMARRE EXT.	GARRAS Nº2 BLANDAS	GARRAS BASE	GARRAS SUP. DURAS	GARRAS SUP. BLANDAS
mm		EXT.JAW	INT.JAW	SOFT	BASE JAW	HARD TOP	SOFT TOP
80	JGO. 3 / set of 3	3ZU3108000	3ZU3208000	3ZU3008000			
	JGO. 4 / set of 4	3ZU4108000	3ZU4208000	3ZU4008000			
100	JGO. 3 / set of 3	3ZU3110000	3ZU3210000	3ZU3008000			
	JGO. 4 / set of 4	3ZU4110000	3ZU4210000	3ZU4010000			
125	JGO. 3 / set of 3	3ZU3112500	3ZU3212500	3ZU3012500			
	JGO. 4 / set of 4	3ZU4112500	3ZU4212500	3ZU4012500			
160	JGO. 3 / set of 3	3ZU3116000	3ZU3216000	3ZU3016000	3ZU3316000	3ZU3416000	3ZU3516000
	JGO. 4 / set of 4	3ZU4116000	3ZU4216000	3ZU4016000	3ZU4316000	3ZU4416000	3ZU4516000
200	JGO. 3 / set of 3	3ZU3120000	3ZU3220000	3ZU3020000	3ZU3320000	3ZU3420000	3ZU3520000
	JGO. 4 / set of 4	3ZU4120000	3ZU4220000	3ZU4020000	3ZU4320000	3ZU4420000	3ZU4520000
250	JGO. 3 / set of 3	3ZU3125000	3ZU3225000	3ZU3025000	3ZU3325000	3ZU3425000	3ZU3525000
	JGO. 4 / set of 4	3ZU4125000	3ZU4225000	3ZU4025000	3ZU4325000	3ZU4425000	3ZU4525000
310	JGO. 3 / set of 3	3ZU3131500	3ZU3231500	3ZU3031500	3ZU3331500	3ZU3431500	3ZU3531500
	JGO. 4 / set of 4	3ZU4131500	3ZU4231500	3ZU4031500	3ZU4331500	3ZU4431500	3ZU4531500
400	JGO. 3 / set of 3	3ZU3140000	3ZU3240000	3ZU3040000	3ZU3340000	3ZU3440000	3ZU3540000
	JGO. 4 / set of 4	3ZU4140000	3ZU4240000	3ZU4040000	3ZU4340000	3ZU4440000	3ZU4540000

REPUESTOS PARA PLATOS UNIVERSALES TdeG21

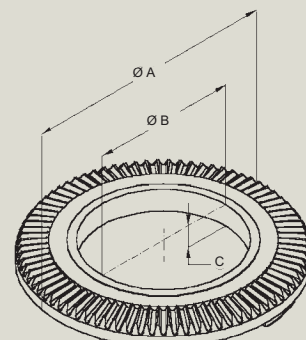
SPARE PARTS FOR CONCENTRIC CHUCKS TdeG21

Corona de P.U. TdeG21



Scroll for TdeG21

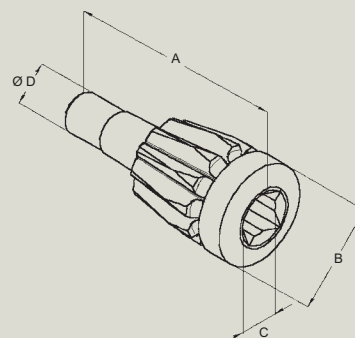
Ø PLATO								
Ø CHUCK	80	100	125	160	200	250	310	400
ØA	54	68	93	122	158	196	258	326
ØB	26	34	54	69,85	85,7	120,65	155,6	180
C	13	15	17	17	20	23,4	25	31
COD.	3CO2108000	3CO2110000	3CO2112500	3CO2116000	3CO2120000	3CO2125000	3CO2131000	3CO2140000



Piñones de P.U. TdeG21

Pinion for TdeG21

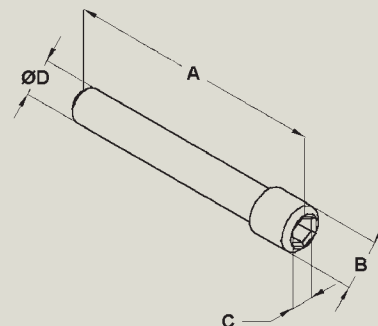
Ø PLATO								
Ø CHUCK	80	100	125	160	200	250	310	400
A	30,5	37	42	51	65	78	92	122
ØB	20	22	27	28,6	30,1	33,3	40	44
C	6x6	6X6	8X8	9X9	11X11	12X12	14X14	17X17
ØD	6	8	7,9	9,5	9,5	12,7	14	16
COD.	3PN2108000	3PN2110000	3PN2112500	3PN2116000	3PN2120000	3PN2125000	3PN2131000	3PN2140000



Tornillos de retención

Pinion retainer

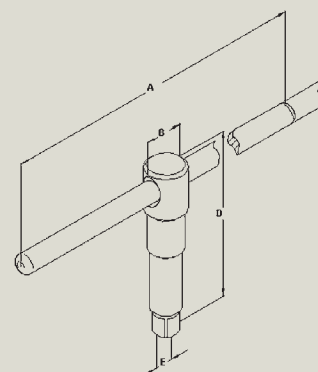
Ø PLATO								
Ø CHUCK	80	100	125	160	200	250	310	400
A	34	34	40	40	40	45	50	66
B	M5	M5	M6	M6	M6	M6	M8	M10
ØD	4	4	4,7	4,7	4,7	4,7	6,3	8,1
COD.	3BU2100100	3BU2100100	3BU2100200	3BU2100200	3BU2100200	3BU2100300	3BU2100400	3BU2100500



Llave del piñón de P.U. TdeG21

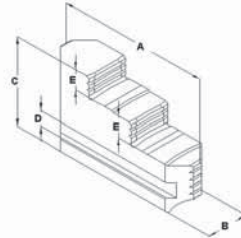
Key

Ø PLATO								
Ø CHUCK	80	100	125	160	200	250	310	400
D	70	70	85	115		105	135	160
E	6x6	6X6	10x10	9X9	11X11	12X12	14X14	17X17
COD.	2LL0000100	2LL0000100	2LL0000200	3LL2116000	3LL2120000	2LL0000400	2LL0000500	2LL0000600



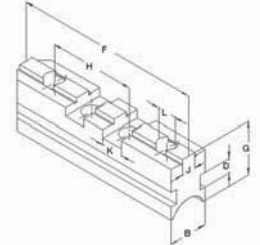
Garra monoblock

One piece jaw



Garra partida base

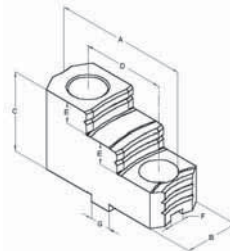
Base jaw



Ø PLATO	A	B	C	D	E	F	G	H	J	K	L	REF.G.MONOBLOC	REF.G.BASE
Ø CHUCK	A	B	C	D	E	F	G	H	J	K	L	C.ONE PIECE JAW	C.BASE JAW
160	56	19,4	52	9,25	9	-	-	-	-	-	-	1GI0116000	-
200	75	19,4	57	9,25	10	-	-	-	-	-	-	1GI0120000	-
250	87,5	30	58	10	11	-	-	-	-	-	-	1GI0125000	-
300	87,5	30	58	10	11	-	-	-	-	-	-	1GI0125000	-
350	106	35	76	13	16	127	45,5	76,2	12,7	19,05	5/8"-11x2	1GI0135000	1GI0335000
400	106	35	76	13	16	127	45,5	76,2	12,7	19,05	5/8"-11x2	1GI0135000	1GI0335000
450	125	40	76	13	16	165	45,5	76,2	12,7	19,05	3/4"-10x4	1GI0150000	1GI0350000
500	125	40	76	13	16	165	45,5	76,2	12,7	19,05	3/4"-10x4	1GI0150000	1GI0350000
600	175	50	130	18	34	175	53,5	76,2	12,7	19,05	3/4"-10x4	1GI0160000	1GI0360000
700	175	50	130	18	34	175	53,5	76,2	12,7	19,05	3/4"-10x4	1GI0160000	1GI0360000
800	175	50	130	18	34	175	53,5	76,2	12,7	19,05	3/4"-10x4	1GI0160000	1GI0360000
900	175	50	130	18	34	175	53,5	76,2	12,7	19,05	3/4"-10x4	1GI0160000	1GI0360000
1000	200	60	130	18	34	203	54,5	76,2	12,7	19,05	3/4"-10x5	1GI0101000	1GI0301000
1200	200	60	130	18	34	203	54,5	76,2	12,7	19,05	3/4"-10x5	1GI0101000	1GI0301000
1400	200	60	130	18	34	203	54,5	76,2	12,7	19,05	3/4"-10x5	1GI0101000	1GI0301000
1500	200	60	130	18	34	203	54,5	76,2	12,7	19,05	3/4"-10x5	1GI0101000	1GI0301000

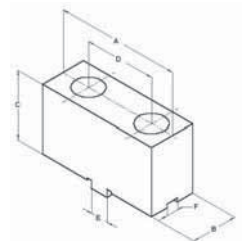
Garra partida superior

Hard top jaw



Garra partida superior blanda

Soft top jaw



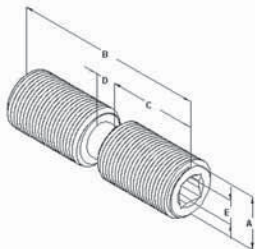
Ø PLATO	A	B	C	D	E	F	G	REF.G.SUP.	REF.G.SUP.BLANDA
Ø CHUCK	A	B	C	D	E	F	G	C.TOP JAW	C.TOP SOFT JAW
350	127	40	58	76,2	19,05	15	12,7	1GI0435000	2SB0000500
400	127	40	58	76,2	19,05	15	12,7	1GI0435000	2SB0000500
450	127	40	73	76,2	19,05	20	12,7	1GI0445000	2SB0000600
500	127	40	73	76,2	19,05	20	12,7	1GI0445000	2SB0000600
600	127	61	74	76,2	19,05	20	12,7	1GI0460000	2SB0000700
700	127	61	74	76,2	19,05	20	12,7	1GI0460000	2SB0000700
800	127	61	74	76,2	19,05	20	12,7	1GI0460000	2SB0000700
900	127	61	74	76,2	19,05	20	12,7	1GI0460000	2SB0000700
1000	127	61	74	76,2	19,05	20	12,7	1GI0460000	2SB0000700
1200	127	61	74	76,2	19,05	20	12,7	1GI0460000	2SB0000700
1400	127	61	74	76,2	19,05	20	12,7	1GI0460000	2SB0000700
1500	127	61	74	76,2	19,05	20	12,7	1GI0460000	2SB0000700

REPUESTOS PARA PLATOS DE 4 GARRAS INDEPENDIENTES

4 JAW INDEPENDENT CHUCKS SPARE PARTS

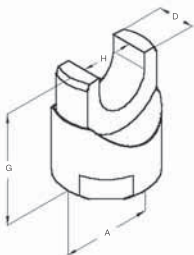
Husillo

Operating screw



Taco

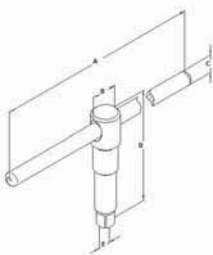
Thrust bearing



Ø PLATO	A	B	C	D	E	G	H	REF. HUSILLO CODE SCREW	REF. TACO CODE THRUST
160	22	52	23	6	10	28,75	11,5	2HU2200100	2TC0000100
200	22	63	28,5	6	10	36	11,5	2HU2200200	2TC0000200
250	32	74	31	12	14	42,5	18,5	2HU3200100	2TC0000300
300	32	92	40	12	14	42,5	18,5	2HU3200200	2TC0000300
350	32	113	50,5	12	14	42,5	18,5	2HU3200300	2TC0000300
400	32	127	57,5	12	14	42,5	18,5	2HU3200400	2TC0000300
450	32	152	70	12	14	42,5	18,5	2HU3200500	2TC0000300
500	32	178	83	12	14	42,5	18,5	2HU3200600	2TC0000300
600	40	208	96	16	17	51	23	2HU4000100	2TC0000400
700	40	243	126	16	17	51	23	2HU4000200	2TC0000400
800	40	268	126	16	17	51	23	2HU4000300	2TC0000400
900	40	323	153,5	16	17	51	23	2HU4000400	2TC0000400
1000	40	360	172	16	17	51	23	2HU4000500	2TC0000400
1200	40	405	127	19	19	70	32	2HU4000700	2TC0000400
1400	40	500	154	19	19	70	32	2HU4000900	2TC0000400
1500	40	615	176,5	19	19	70	32	2HU4001000	2TC0000400

Llave

Key



Ø PLATO Ø CHUCK	D	E	REF. LLAVE CODE KEY
160	118	10	2LL0001000
200	118	10	2LL0001000
250	135	14	2LL0000500
300	135	14	2LL0000500
350	135	14	2LL0000500
400	180	14	2LL0001200
450	180	14	2LL0001200
500	180	14	2LL0001200
600	263	17	2LL0001400
700	263	17	2LL0001400
800	263	17	2LL0001400
900	263	17	2LL0001400
1000	263	17	2LL0001400
1200	263	19	2LL0001500
1400	263	19	2LL0001500
1500	263	19	2LL0001500