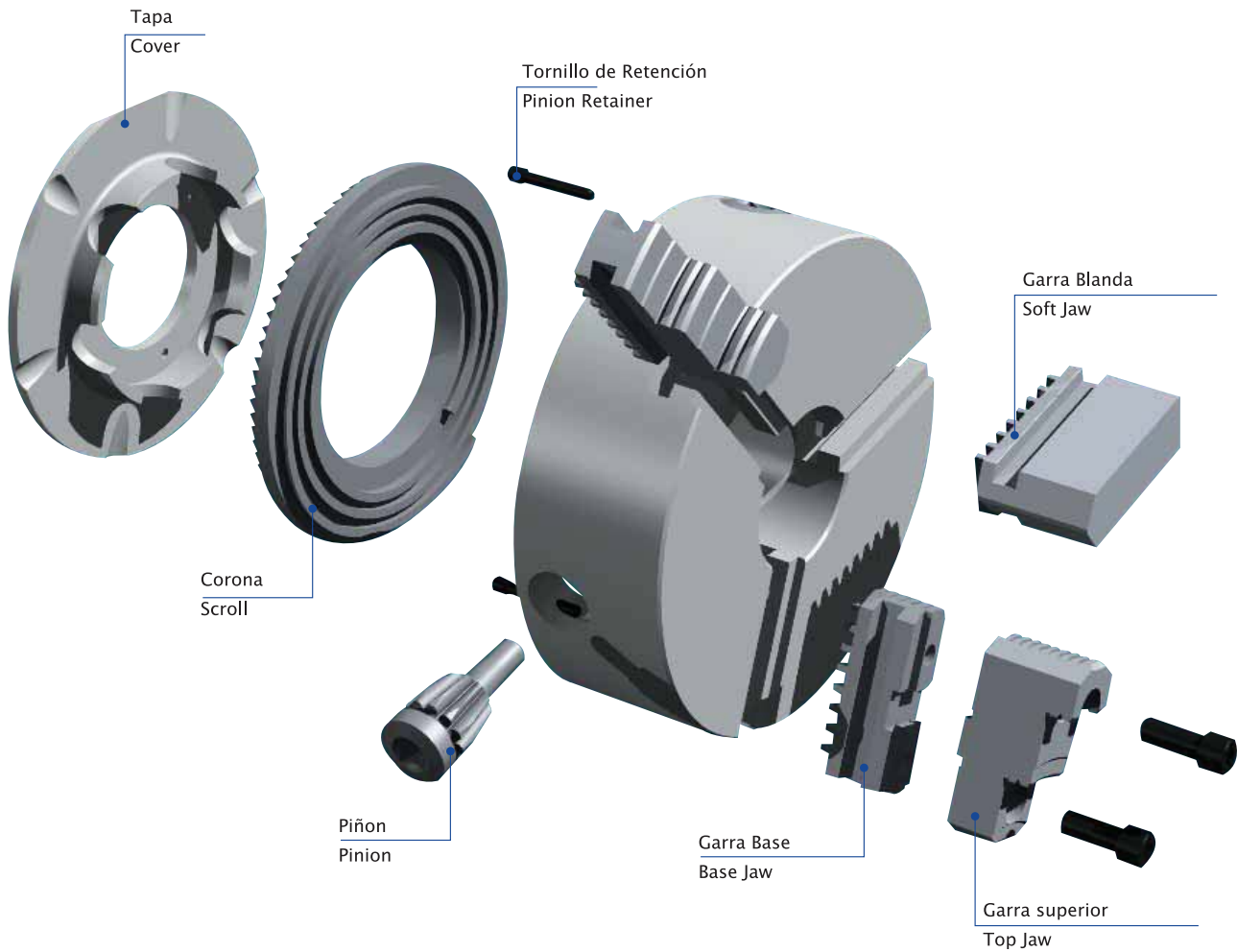


PLATOS MANUALES

MANUAL CHUCKS


Platos Universales de
3 y 4 Garras

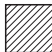
3 & 4 Jaw Concentric
Chucks



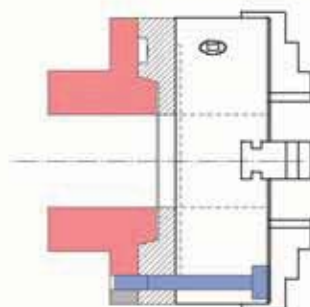
Tipos de Montaje

Mounting Types

Cabezal de Torno / Lathe Spindles 

Contraplato / Adapters 

Amarre Directo / Direct Mounting



Amarre Indirecto / Indirect Mounting





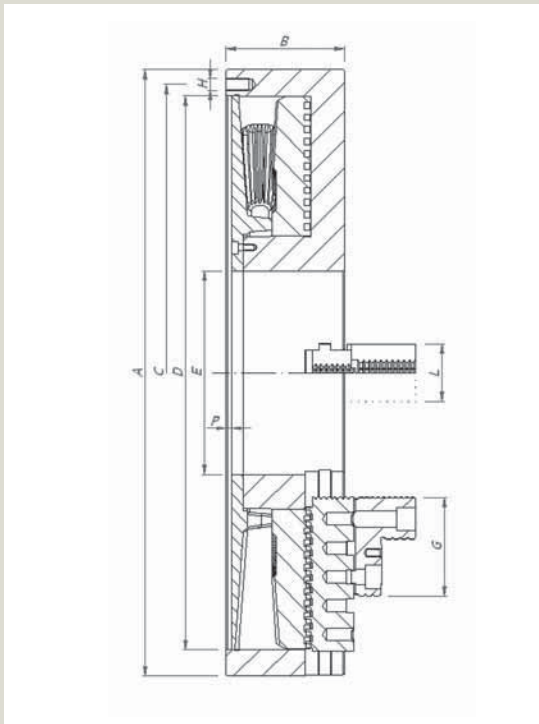
TALLERES DE GUERNICA

PLATOS MANUALES

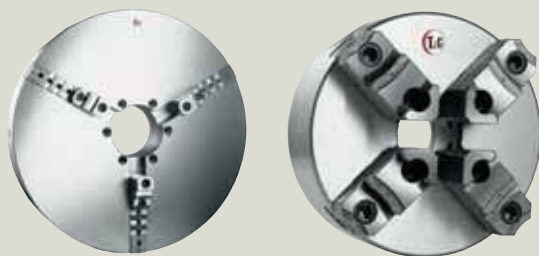
MANUAL CHUCKS

Platos Autocentrantes de 3 y 4 Garras Partidas TdeG

TdeG 3 & 4 Two Piece Jaw Self Centering Chucks



| A mm | A inch | B | C | D | E _{max} | F | G | H | L | P |
|------|--------|-----|------|-----|------------------|------|-----|-------|----|-----|
| 160 | 6 | 65 | 140 | 125 | 42 | 26,3 | 66 | 3xM10 | 22 | 4 |
| 200 | 8 | 75 | 176 | 160 | 55 | 29,3 | 77 | 3xM10 | 25 | 4 |
| 250 | 10 | 83 | 222 | 202 | 80 | 34,5 | 95 | 3xM12 | 32 | 4,2 |
| 315 | 13 | 105 | 284 | 258 | 105 | 44,5 | 115 | 3xM14 | 40 | 5 |
| 350 | 14 | 100 | 320 | 290 | 155 | 53,5 | 140 | 3xM14 | 40 | 5 |
| 400 | 16 | 113 | 362 | 320 | 130 | 53,5 | 140 | 3xM16 | 40 | 5 |
| 500 | 20 | 141 | 458 | 400 | 165 | 74,5 | 175 | 6xM16 | 45 | 6 |
| 630 | 24 | 140 | 586 | 545 | 205 | 74,5 | 175 | 6xM16 | 45 | 7 |
| 700 | 27 1/2 | 145 | 660 | 630 | 225 | 82 | 218 | 6xM20 | 60 | 8 |
| 800 | 31 1/2 | 155 | 760 | 730 | 268 | 82 | 218 | 6xM20 | 60 | 8 |
| 900 | 35 2/5 | 165 | 850 | 810 | 375 | 82 | 218 | 6xM22 | 60 | 8 |
| 1000 | 39 2/5 | 165 | 950 | 910 | 390 | 82 | 296 | 6xM24 | 60 | 10 |
| 1200 | 47 | 185 | 950 | 910 | 390 | 80 | 430 | 6xM24 | 75 | 10 |
| 1400 | 55 | 185 | 950 | 910 | 390 | 80 | 430 | 6xM24 | 75 | 10 |
| 1600 | 63 | 190 | 1050 | 910 | 390 | 80 | 430 | 6xM30 | 75 | 10 |
| 1800 | 72 | 200 | 1050 | 910 | 390 | 80 | 600 | 6xM30 | 75 | 10 |



- Cuerpo de acero forjado, opcion hierro fundido ø500-630
- Garras superiores duras incluidas. Fijacion según norma ASA
- Medidas del plato según norma DIN 6350 en ø160-200
- Tolerancias de centrado bajo norma UNE 15-430-94 / ISO 3089:1991
- Endurecimiento químico en zonas de fricción ø160-500
- Temple por inducción en zonas de deslizamiento en ø630-1800
- Otras medidas superiores bajo consulta
- Pesos aproximados

- Steel body. Cast iron option in ø500-630
- ASA, cross tenon, hard reversible top jaws included
- Chuck sizes according to DIN 6350 norm in ø160-200
- Centering tolerances according to UNE 15-430-94 / ISO 3089:1991 norm
- Other bigger dimensions on request
- Aproximated weights

| A mm | A inch | Material | Max R.P.M | Max Par de apriete | Fuerza de amarre | Peso 3G | Peso 4G | Ømax. Amarre | Ø Min Amarre |
|------|--------|--------------------------|-----------|--------------------|------------------|-----------|-----------|----------------|----------------|
| A mm | A inch | Material | Max R.P.M | Max Torque on Key | Gripping Force | Weight 3J | Weight 4J | Max Clamping Ø | Min Clamping Ø |
| 160 | 6 | Acero/Steel | 3820 | 10 Da N.M | 4200 DAN | 10 | 10,2 | 160 | 3 |
| 200 | 8 | Acero/Steel | 3056 | 13 Da N.M | 5300 DAN | 17 | 17,5 | 200 | 4 |
| 250 | 10 | Acero/Steel | 2445 | 14 Da N.M | 6100 DAN | 26 | 27 | 250 | 5 |
| 315 | 13 | Acero/Steel | 1940 | 17 Da.N.M | 6700 DAN | 51 | 53 | 315 | 10 |
| 350 | 14 | Acero/Steel | 1746 | 19 Da.N.M | 7000 DAN | 57 | 59 | 350 | 45 |
| 400 | 16 | Acero/Steel | 1528 | 22 Da.N.M | 8800 DAN | 90 | 92 | 400 | 20 |
| 500 | 20 | Hierro fundido/Cast Iron | 688 | 24 Da.N.M | 9000 DAN | 175 | 180 | 500 | 35 |
| 500 | 20 | Acero/Steel | 1222 | 24 Da.N.M | 9000 DAN | 189 | 194 | 500 | 35 |
| 630 | 24 | Hierro fundido/Cast Iron | 546 | 26 Da.N.M | 9200 DAN | 223 | 228 | 630 | 100 |
| 630 | 24 | Acero/Steel | 970 | 26 Da.N.M | 9200 DAN | 242 | 247 | 630 | 100 |
| 700 | 27 1/2 | Acero/Steel | 873 | 70 Da.N.M | 11700 DAN | 335 | 341 | 700 | 85 |
| 800 | 31 1/2 | Acero/Steel | 764 | 70 Da.N.M | 12300 DAN | 410 | 415 | 800 | 125 |
| 900 | 35 2/5 | Acero/Steel | 679 | 70 Da.N.M | 12500 DAN | 565 | 570 | 900 | 150 |
| 1000 | 39 2/5 | Acero/Steel | 611 | 70 Da.N.M | 12500 DAN | 721 | 730 | 1000 | 200 |
| 1200 | 47 | Acero/Steel | 509 | 70 Da.N.M | 12500 DAN | 1200 | 1230 | 1200 | 240 |
| 1400 | 55 | Acero/Steel | 437 | 70 Da.N.M | 12500 DAN | 1850 | 1900 | 1400 | 240 |
| 1600 | 63 | Acero/Steel | 382 | 70 Da.N.M | 12500 DAN | 2800 | 2870 | 1600 | 240 |
| 1800 | 72 | Acero/Steel | 340 | 70 Da.N.M | 12500 DAN | 4300 | 4400 | 1800 | 240 |

REPUESTOS

GARRAS PAG.30-31
 CONTRAPLATOS PAG.....22
 CORONAS PAG.32
 PIÑONES PAG32

SPARE PARTS

JAWS PAGE.30-31
 ADAPTORS PAGE22
 SCROLLS PAGE32
 PINIONS PAGE32

