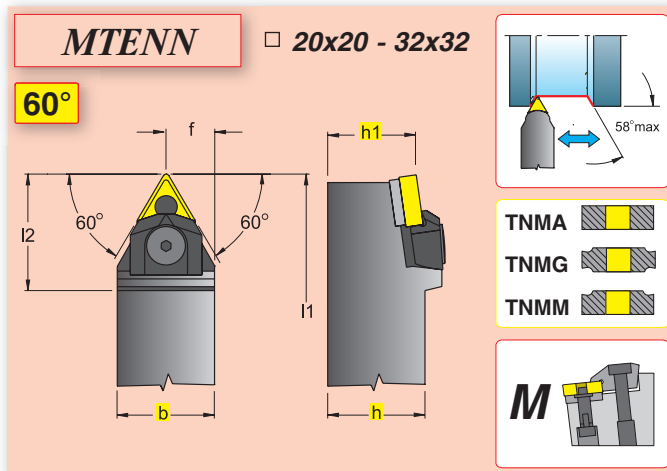


ОБОЗНАЧЕНИЕ	(mm)					
	h=h1	b	f	l1	l2	
MTJNR/L 2020 K 16	20	20	25	125	31	1604
MTJNR/L 2525 M 16	25	25	32	150	36	
MTJNR/L 3225 P 16	32	25	32	170	35	2204
MTJNR/L 2525 M 22	25	25	32	150	36	
MTJNR/L 3225 P 22	32	25	32	170	35	
MTJNR/L 3232 P 22	32	32	40	170	36	



ОБОЗНАЧЕНИЕ	(mm)					
	h=h1	b	f	l1	l2	
MTENN 2020 K 16	20	20	10,5	125	35	1604
MTENN 2525 M 16	25	25	13,0	150	37	
MTENN 2525 M 22	25	25	13,0	150	37	2204
MTENN 3225 P 22	32	25	13,0	170	37	
MTENN 3232 P 22	32	32	16,5	170	37	

MWLNR/L □ 20x20 - 32x32

95°

WNMA
WNMG
WNMM

M

ОБОЗНАЧЕНИЕ 	(mm)					
	h=h1	b	f	l1	l2	
MWLNR/L 2020 K 06	20	20	25	125	31	0604
MWLNR/L 2525 M 06	25	25	32	150	25	
MWLNR/L 2020 K 06T3	20	20	25	125	31	06T3
MWLNR/L 2525 M 06T3	25	25	32	150	25	
MWLNR/L 2020 K 08N	20	20	25	125	28	0804
MWLNR/L 2525 M 08N	25	25	32	150	31	
MWLNR/L 3225 P 08N	32	25	32	170	31	
MWLNR/L 3232 P 08N	32	32	40	170	31	

MCLNR/L □ 20x20 - 40x40

95°

CNMA
CNMG
CNMM

M

ОБОЗНАЧЕНИЕ 	(mm)					
	h=h1	b	f	l1	l2	
MCLNR/L 2020 K 12	20	20	25	125	28	1204
MCLNR/L 2525 M 12	25	25	32	150	33	
MCLNR/L 3225 P 12	32	25	32	170	28	
MCLNR/L 3232 P 12	32	32	40	170	30	
MCLNR/L 2525 M 16	25	25	32	150	33	1606
MCLNR/L 3225 P 16	32	25	32	170	33	
MCLNR/L 3232 P 16	32	32	40	170	33	
MCLNR/L 3232 P 19	32	32	40	170	40	1906
MCLNR/L 4040 S 19	40	40	50	250	40	

MDJNR/L □ 20x20 - 32x32

93°

DNMA
 DNMG
 DNMM

M

ОБОЗНАЧЕНИЕ 	(mm)					
	h=h1	b	f	l1	l2	
MDJNR/L 2020 K 15	20	20	25	125	35	1506
MDJNR/L 2525 M 15	25	25	32	150	35	
MDJNR/L 3225 P 15	32	25	32	170	36	
MDJNR/L 3232 P 15	32	32	40	170	36	

MDQNR/L □ 25x25

107,5°

DNMA
 DNMG
 DNMM

M

ОБОЗНАЧЕНИЕ 	(mm)					
	h=h1	b	f	l1	l2	
MDQNR/L 2525 M 15	25	25	32	150	36	1506

MSSNR/L □ 20x20 - 40x40

45°

SNMA
SNMG
SNMM

M

ОБОЗНАЧЕНИЕ 	(mm)					
	h=h1	b	f	l1	l2	
MSSNR/L 2020 K 12	20	20	25	125	32	1204
MSSNR/L 2525 M 12	25	25	32	150	33	
MSSNR/L 3225 P 12	32	25	32	170	33	
MSSNR/L 3232 P 12	32	32	40	170	40	1906
MSSNR/L 3232 P 19	32	32	40	170	40	
MSSNR/L 4040 S 19	40	40	50	250	40	

MSBNR/L □ 32x32 - 40x40

75°

SNMA
SNMG
SNMM

M

ОБОЗНАЧЕНИЕ 	(mm)					
	h=h1	b	f	l1	l2	
MSBNR/L 3232 P 19	32	32	27	170	39	1906
MSBNR/L 4040 S 19	40	40	35	250	39	

MVJNR/L □ 20x20 - 32x25

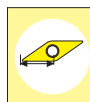
93°

VNMG

M

ОБОЗНАЧЕНИЕ

(mm)



	h=h1	b	f	l1	l2
MVJNR/L 2020 K 16	20	20	25	125	32
MVJNR/L 2525 M 16	25	25	32	150	32
MVJNR/L 3225 P 16	32	25	32	170	32

1604

MCKNR/L □ 20x20 - 32x32

75°

CNMA

CNGA

CNMM

CNMG

M

ОБОЗНАЧЕНИЕ

(mm)



	h=h1	b	f	l1	l2
MCKNR/L 2020 K 12	20	20	25	125	30
MCKNR/L 2525 M 12	25	25	32	150	30
MCKNR/L 2525 M 16	25	25	32	150	30
MCKNR/L 3232 P 16	32	32	40	170	39
MCKNR/L 3232 P 19	32	32	40	170	39

1204

1606

1906

MVVNN □ 20x20 - 32x25

72,5°

VNMG

M

ОБОЗНАЧЕНИЕ		(mm)					
		h=h1	b	f	l1	l2	
MVVNN	2020 K 16	20	20	-	125	45	1604
MVVNN	2525 M 16	25	25	-	150	45	
MVVNN	3225 P 16	32	25	-	170	45	

MVPCR/L □ 20x20 - 32x25

117,5°

VNMG

M

ОБОЗНАЧЕНИЕ		(mm)					
		h=h1	b	f	l1	l2	
MVPCR/L	2020 K 16	20	20	25	125	41	1604
MVPCR/L	2525 M 16	25	25	32	150	41	
MVPCR/L	3225 P 16	32	25	32	170	32	