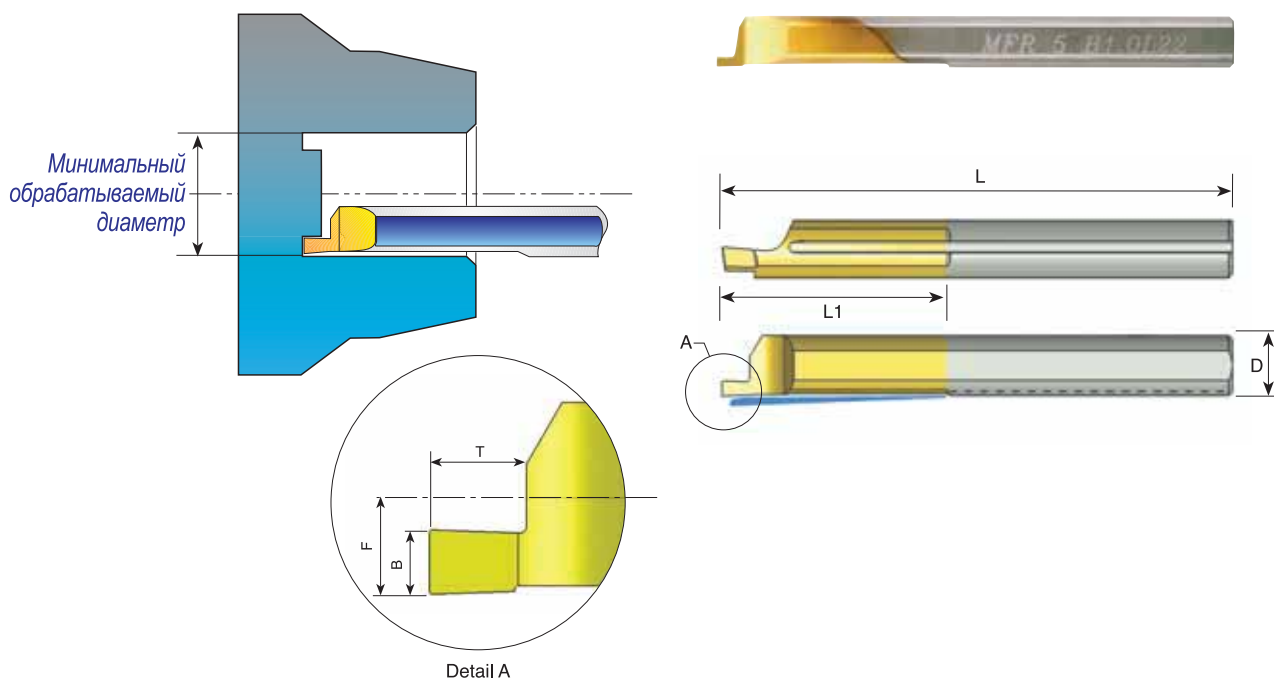


MFR Bars серия *Обработка торцевых канавок*



| D | Код заказа | L | L1 | B | T | F | Минимальный обрабатываемый диаметр | Оправка* |
|-----|------------------------|----|----|------|-----|------|------------------------------------|-------------|
| 4.0 | MFR 4 B0.75 L15 | 51 | 15 | 0.75 | 1.2 | 1.95 | 5.0 | SIM 0020 H4 |
| 4.0 | MFR 4 B1.0 L15 | 51 | 15 | 1.0 | 1.5 | 1.95 | 5.0 | SIM 0020 H4 |
| 4.0 | MFR 4 B1.5 L15 | 51 | 15 | 1.5 | 2.8 | 1.95 | 5.0 | SIM 0020 H4 |
| 5.0 | MFR 5 B0.75 L22 | 51 | 22 | 0.75 | 1.2 | 2.45 | 6.0 | SIM 0020 H5 |
| 5.0 | MFR 5 B1.0 L22 | 51 | 22 | 1.0 | 1.5 | 2.45 | 6.0 | SIM 0020 H5 |
| 5.0 | MFR 5 B1.5 L22 | 51 | 22 | 1.5 | 2.5 | 2.45 | 6.0 | SIM 0020 H5 |
| 5.0 | MFR 5 B2.0 L22 | 51 | 22 | 2.0 | 3.8 | 2.45 | 6.0 | SIM 0020 H5 |
| 6.0 | MFR 6 B1.0 L22 | 51 | 22 | 1.0 | 1.5 | 2.95 | 8.0 | SIM 0020 H6 |
| 6.0 | MFR 6 B1.5 L22 | 51 | 22 | 1.5 | 2.5 | 2.95 | 8.0 | SIM 0020 H6 |
| 6.0 | MFR 6 B2.0 L22 | 51 | 22 | 2.0 | 3.0 | 2.95 | 8.0 | SIM 0020 H6 |
| 6.0 | MFR 6 B2.5 L22 | 51 | 22 | 2.5 | 4.8 | 2.95 | 8.0 | SIM 0020 H6 |
| 6.0 | MFR 6 B3.0 L30 | 58 | 30 | 3.0 | 6.0 | 2.95 | 8.0 | SIM 0020 H6 |
| 8.0 | MFR 8 B2.5 L22 | 64 | 22 | 2.5 | 3.5 | 3.95 | 10.0 | SIM 0020 H8 |

Пример заказа: MFR 5 B1.0 L22 BXC

* Переходные оправки смотрите на странице 176