

S..CSKPR/L 16 - 40

75°

SPGN
SPUN $\leftarrow 11^\circ$

SPMR $\leftarrow 11^\circ$

C

ОБОЗНАЧЕНИЕ			(mm)					
			Dmin	d	f	H	l1	
S16M	CSKPR/L	09	20	16	11	15	150	0903
S20Q	CSKPR/L	09	25	20	13	18	180	
S25R	CSKPR/L	12	32	25	17	23	200	
S32S	CSKPR/L	12	40	32	22	30	250	
S40T	CSKPR/L	12	50	40	27	37	300	

S..CTFPR/L 12 - 40

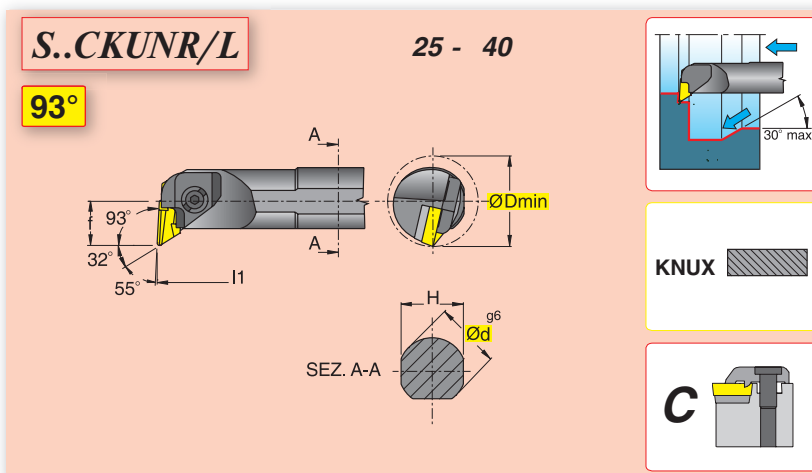
90°

TPGN
TPUN $\leftarrow 11^\circ$

TPMR $\leftarrow 11^\circ$

C

ОБОЗНАЧЕНИЕ			(mm)					
			Dmin	d	f	H	l1	
S12K	CTFPR/L	11	16	12	9	11	125	1103
S16M	CTFPR/L	11	20	16	11	15	150	
S20Q	CTFPR/L	11	25	20	13	18	180	
S16M	CTFPR/L	16	20	16	11	15	150	1603
S20Q	CTFPR/L	16	25	20	13	18	180	
S25R	CTFPR/L	16	32	25	17	23	200	
S32S	CTFPR/L	16	40	32	22	30	250	
S40T	CTFPR/L	16	50	40	27	37	300	



ОБОЗНАЧЕНИЕ			(mm)						
			Dmin	d	f	H	l1		
S25R	CKUNR	16	32	25	20,5	23	200	1604...-L	
S32S	CKUNR	16	40	32	22,0	30	250		
S40T	CKUNR	16	50	40	27,0	37	300		
S25R	CKUNL	16	32	25	20,5	23	200		1604...-R
S32S	CKUNL	16	40	32	22,0	30	250		
S40T	CKUNL	16	50	40	27,0	37	300		