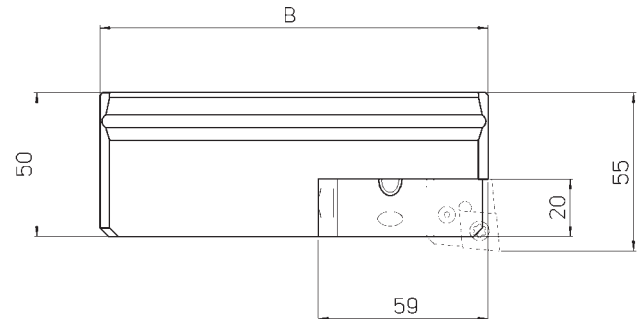
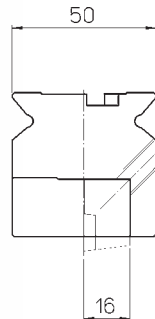
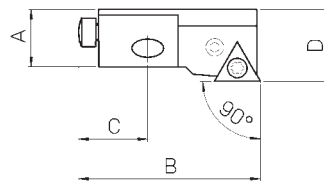
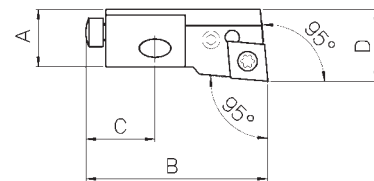
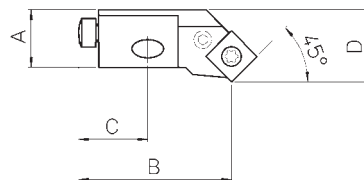
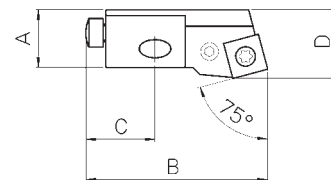


**PC**


| REF.     | CODE              | B   | kg  |
|----------|-------------------|-----|-----|
| PC 11.50 | 43 30 50 16 095 0 | 95  | 1.3 |
| PC 12.50 | 43 30 50 16 135 0 | 135 | 2   |
| PC 13.50 | 43 30 50 16 200 0 | 200 | 3.2 |
| PC 14.50 | 43 30 50 16 300 0 | 300 | 4.8 |
| PC 15.50 | 43 30 50 16 400 0 | 400 | 6.3 |

**16CA ISO 5611**

**PTGNL 16CA-16**

**PCLNL 16CA-12**

**PSSNL 16CA-12**

**PSRNL 16CA-12**

On request

Auf Anfrage

A petición

Sur demande

Fornibili su richiesta

| REF.          | CODE              | A  | B  | C  | D  |             |
|---------------|-------------------|----|----|----|----|-------------|
| PTGNL 16CA-16 | 48 3 01 016 1 001 | 20 | 63 | 25 | 25 | TNM. 1604.. |
| PCLNL 16CA-12 | 48 3 01 016 1 002 |    |    |    |    | CNM. 1204.. |
| PSSNL 16CA-12 | 48 3 01 016 1 003 |    |    |    |    | SNM. 1204.. |
| PSRNL 16CA-12 | 48 3 01 016 1 004 |    |    |    |    | SNM. 1204.. |

# MODULHARD'ANDREA

Cover plates

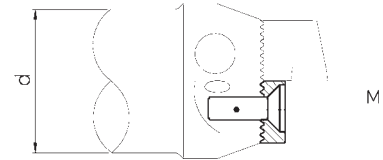
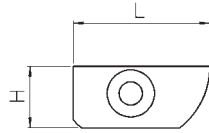
Abdeckplatten

Protecciones

Caches de protection

Protezioni millerighe

PT



| REF.  | CODE            | d  | H    | L    | M       |
|-------|-----------------|----|------|------|---------|
| PT 16 | 38 47 65 000160 | 16 | 7    | 14   | M 3x12  |
| PT 20 | 38 47 65 000200 | 20 | 8.5  | 17   | M 4x14  |
| PT 25 | 38 47 65 000250 | 25 | 10.2 | 21   | M 4x16  |
| PT 32 | 38 47 65 000320 | 32 | 13.9 | 28   | M 5x20  |
| PT 40 | 38 47 65 000400 | 40 | 17.4 | 35   | M 6x25  |
| PT 50 | 38 47 65 000500 | 50 | 21.4 | 47.5 | M 8x25  |
| PT 63 | 38 47 65 000630 | 63 | 26.4 | 62   | M 10x30 |
| PT 80 | 38 47 65 000800 | 80 | 33.9 | 82.5 | M 12x35 |

Chamfering tools

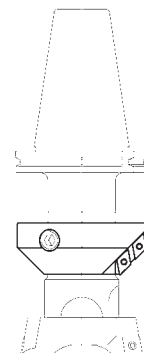
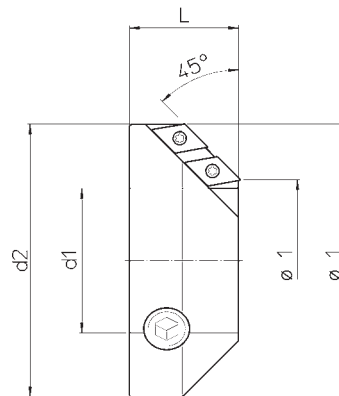
Fasringe

Herramientas para  
achaflanar

Outil à chanfreiner

Anello per smussi

AS...45°



| REF.     | CODE             | Ø <sub>1</sub> | d <sub>1</sub> | d <sub>2</sub> | L  |             |       |          | kg    |
|----------|------------------|----------------|----------------|----------------|----|-------------|-------|----------|-------|
| AS 16.45 | 65 56 016 0013 0 | 18 ~ 28        | 16             | 28             | 13 | DCMT 0702.. | TS 25 | TORX T08 | 0.035 |
| AS 20.45 | 65 56 020 0015 0 | 22 ~ 32        | 20             | 32             | 15 |             |       |          | 0.045 |
| AS 25.45 | 65 56 025 0018 0 | 28 ~ 43        | 25             | 43             | 18 |             |       |          | 0.1   |
| AS 32.45 | 65 56 032 0022 0 | 35 ~ 54        | 32             | 54             | 22 |             |       |          | 0.2   |
| AS 40.45 | 65 56 040 0030 0 | 46 ~ 72        | 40             | 72             | 30 | DCMT 11T3.. | TS 4  | TORX T15 | 0.5   |
| AS 50.45 | 65 56 050 0038 0 | 56 ~ 95        | 50             | 95             | 38 |             |       |          | 1.1   |
| AS 63.45 | 65 56 063 0046 0 | 75 ~ 125       | 63             | 125            | 46 | DCMT 1504.. | TS 5  | TORX T25 | 2.3   |
| AS 80.45 | 65 56 080 0058 0 | 95 ~ 165       | 80             | 165            | 58 |             |       |          | 5.2   |