

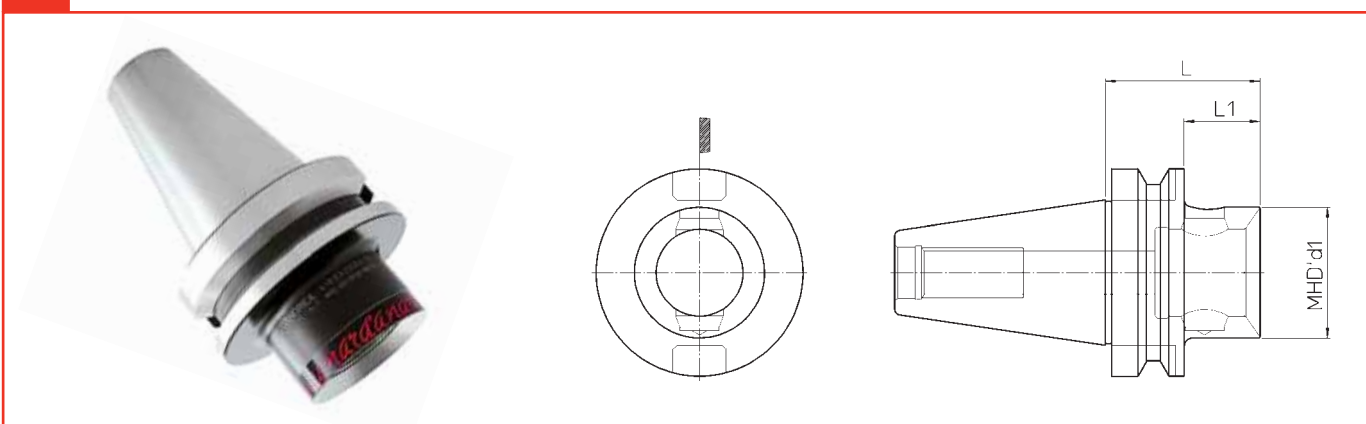
Arbors

Grundaufnahmen

Acoplamiento base

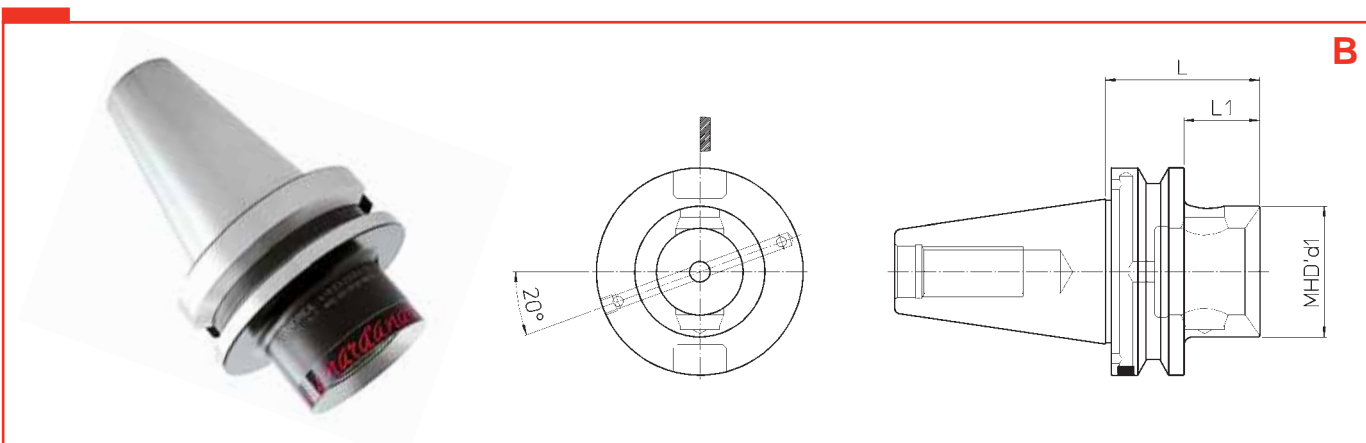
Mandrins

Attacchi base



BT	REF.	CODE	MHD' d <sub>1</sub>	L	L <sub>1</sub>	kg
30	MAS403 BT30 MHD'32.32	41 6 32 01 030 30	32	32	10.6	0.5
	MAS403 BT30 MHD'50.60	41 6 50 01 030 30	50	60	-	0.7
35	MAS403 BT35 MHD'50.60	41 6 50 01 035 30			36	0.8
40	MAS403 BT40 MHD'40.45	41 6 40 01 040 30	40	45	18	0.6
	MAS403 BT40 MHD'50.38	41 6 50 01 040 39	50	38.5	11.5	0.8
	MAS403 BT40 MHD'50.48	41 6 50 01 040 30			48	21
	MAS403 BT40 MHD'63.66	41 6 63 01 040 30	63	66	-	1.2
45	MAS403 BT45 MHD'50.62	41 6 50 01 045 30	50	62	29	1.7
	MAS403 BT45 MHD'63.70	41 6 63 01 045 30	63	70	37	2.3
	MAS403 BT45 MHD'80.70	41 6 80 01 045 30	80			2.7
50	MAS403 BT50 MHD'50.66	41 6 50 01 050 30	50	66	28	3.3
	MAS403 BT50 MHD'63.50	41 6 63 01 050 39	63	50	12	3.4
	MAS403 BT50 MHD'63.75	41 6 63 01 050 30			75	37
	MAS403 BT50 MHD'80.50	41 6 80 01 050 39	80	50	12	3.8
	MAS403 BT50 MHD'80.75	41 6 80 01 050 30			75	37

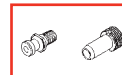
66



BT	REF.	CODE	MHD' d <sub>1</sub>	L	L <sub>1</sub>	kg
40	MAS403 BT40B MHD'50.48	41 6 50 01 040 31	50	48	21	0.9
	MAS403 BT40B MHD'63.66	41 6 63 01 040 31	63	66	-	1.2
50	MAS403 BT50B MHD'50.66	41 6 50 01 050 31	50	66	28	3.5
	MAS403 BT50B MHD'63.75	41 6 63 01 050 31	63	75	37	3.7
	MAS403 BT50B MHD'80.75	41 6 80 01 050 31	80			4

p.271

p.228



# MAS 403 BT



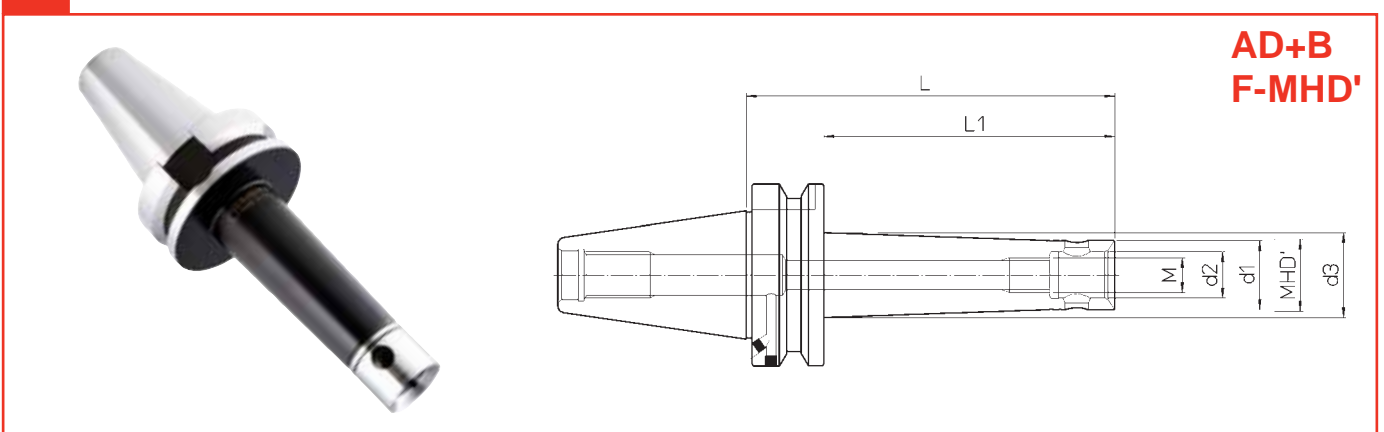
Arbors

Grundaufnahmen

Acoplamiento base

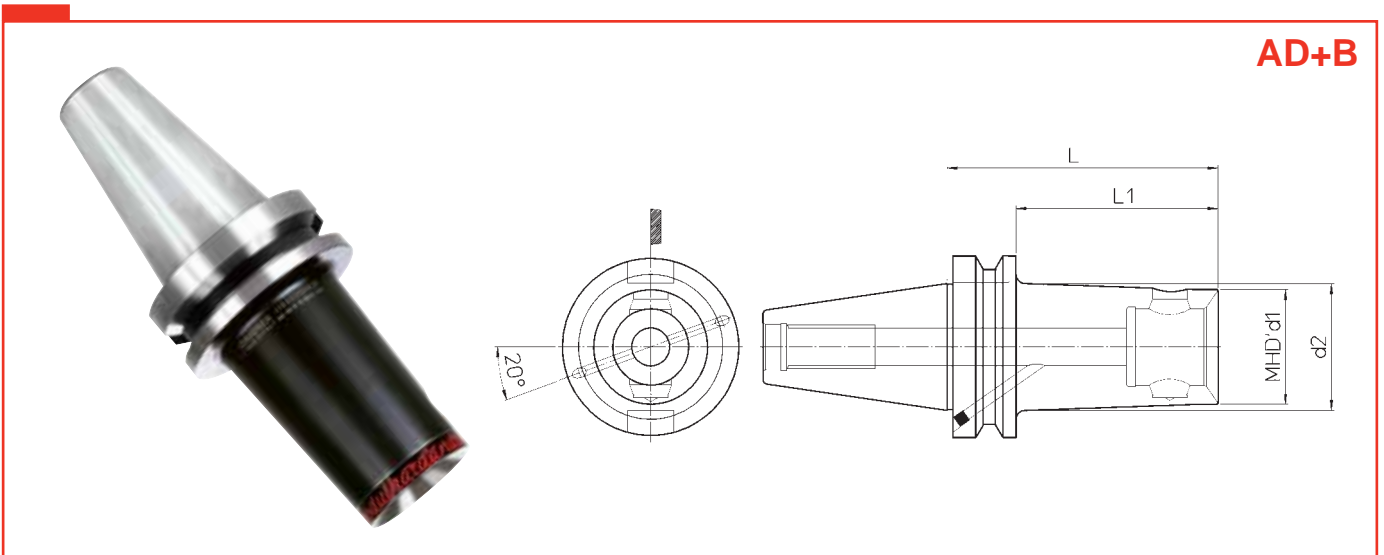
Mandrins

Attacchi base



**AD+B  
F-MHD'**

BT	REF.	CODE	MHD'	d <sub>1</sub>	d <sub>2</sub>	d <sub>3</sub>	M	L	L <sub>1</sub>	kg
40	MAS403 BT40-AD+B F-MHD'16.45	41 6 16 04 140 31	16	15.5	10	–	M 8	45	18	0.8
	MAS403 BT40-AD+B F-MHD'16.63	41 6 16 06 140 31				17		63	36	0.9
	MAS403 BT40-AD+B F-MHD'16.100	41 6 16 10 140 31				19.5		100	73	1
	MAS403 BT40-AD+B F-MHD'20.50	41 6 20 05 140 31	20	19.5	13	–	M 10	50	23	0.9
	MAS403 BT40-AD+B F-MHD'20.80	41 6 20 08 140 31				22		80	53	1
	MAS403 BT40-AD+B F-MHD'20.125	41 6 20 12 140 31				25		125	98	1.1
	MAS403 BT40-AD+B F-MHD'25.50	41 6 25 05 140 31	25	24	16	–	M 12	50	23	1
	MAS403 BT40-AD+B F-MHD'25.80	41 6 25 08 140 31				26.5		80	53	1.1
	MAS403 BT40-AD+B F-MHD'25.125	41 6 25 12 140 31				29.5		125	98	1.2
	MAS403 BT40-AD+B F-MHD'32.50	41 6 32 05 140 31	32	31	20	–	M 16	50	23	1.1
	MAS403 BT40-AD+B F-MHD'32.80	41 6 32 08 140 31				33		80	53	1.2
	MAS403 BT40-AD+B F-MHD'32.125	41 6 32 12 140 31				36		125	98	1.4



**AD+B**

BT	REF.	CODE	MHD' d <sub>1</sub>	d <sub>2</sub>	L	L <sub>1</sub>	kg
40	MAS403 BT40-AD+B MHD'40.120	41 6 40 01 040 38	40	44.5	120	93	0.9
	MAS403 BT40-AD+B MHD'50.120	41 6 50 01 040 38	50	–			1.9
50	MAS403 BT50-AD+B MHD'50.120	41 6 50 01 050 38		63	60	150	112
	MAS403 BT50-AD+B MHD'63.150	41 6 63 01 050 38	70		5.8		
	MAS403 BT50-AD+B MHD'80.180	41 6 80 01 050 38	80		–		

p. 228

p. 271

